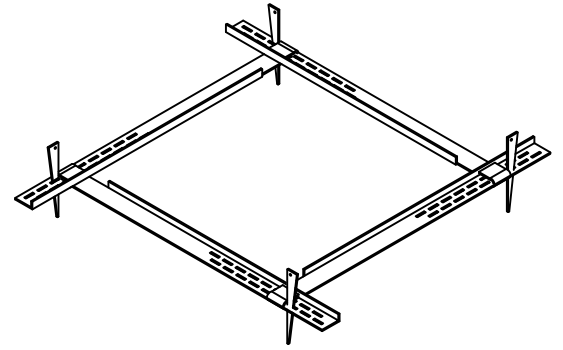
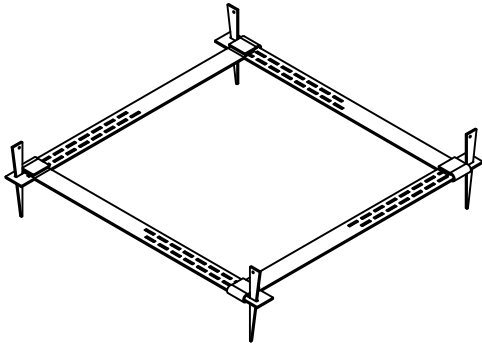


8. เหล็กรัดแบบเสา (COLUMN CLAMP)

แบบเหล็ก ห่วงโหลหการ โทร. 02-322-5499

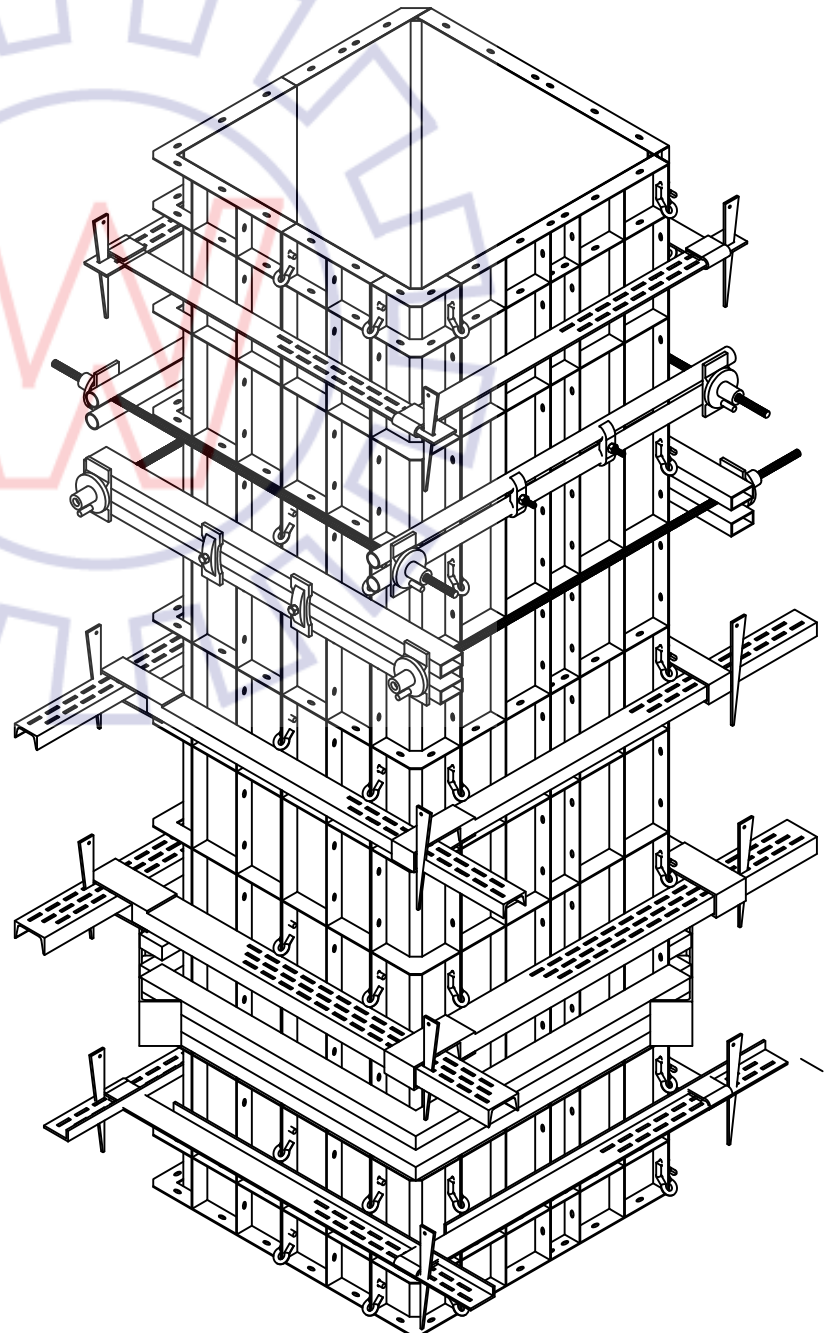
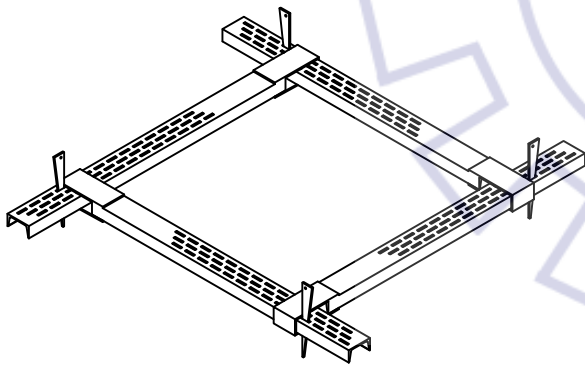
FORMWORK WONGLOHAKARN TEL. 02-322-5499



Flat Type	Length (m/m)	Effective Works (m/m)
S S	1580	540-1360
S 1	1410	430-1200
S 2	1120	300-920
S 3	830	300-620
W S	950	390-800
W 1	715	150-550

Accessories	Length (m/m)
Flat pin	180
Angle pin	250
Channel pin	300

Angle Type	Length (m/m)	Effective Works (m/m)
A 150	1750	1000-1500
A 120	1450	700-1200
A 100	1250	500-1000



Channel Type	Length (m/m)	Effective Works (m/m)
2H 170	2016	1000-1700
2H 150	1816	970-1500
2H 130	1616	800-1300
2H 100	1316	510-1000
3H 260	2945	2000-2600
3H 235	2695	1500-2350
3H 200	2345	1500-2000
3H 180	2145	1000-1800
3H 150	1845	800-1500
3H 130	1645	750-1300
3H 100	1345	520-1000